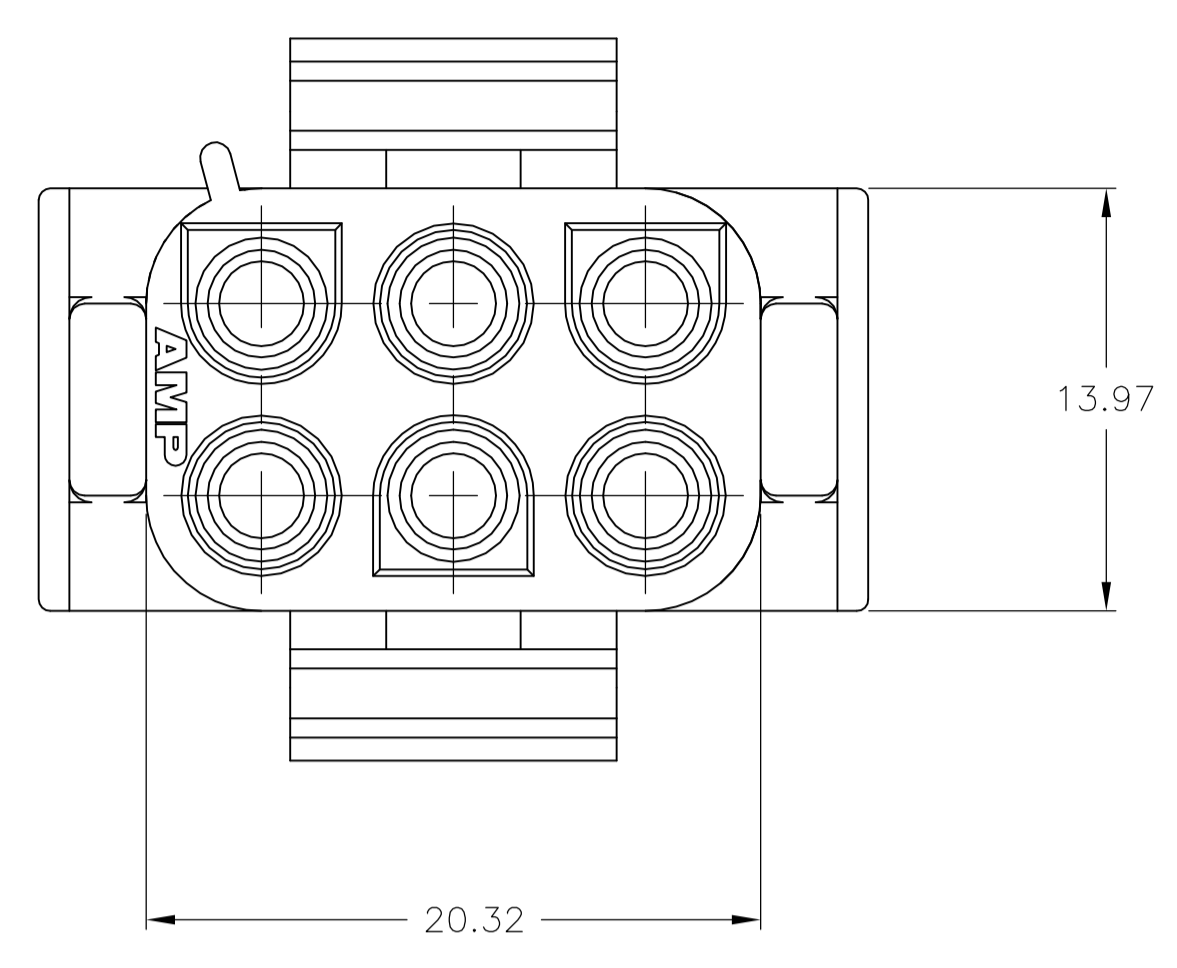
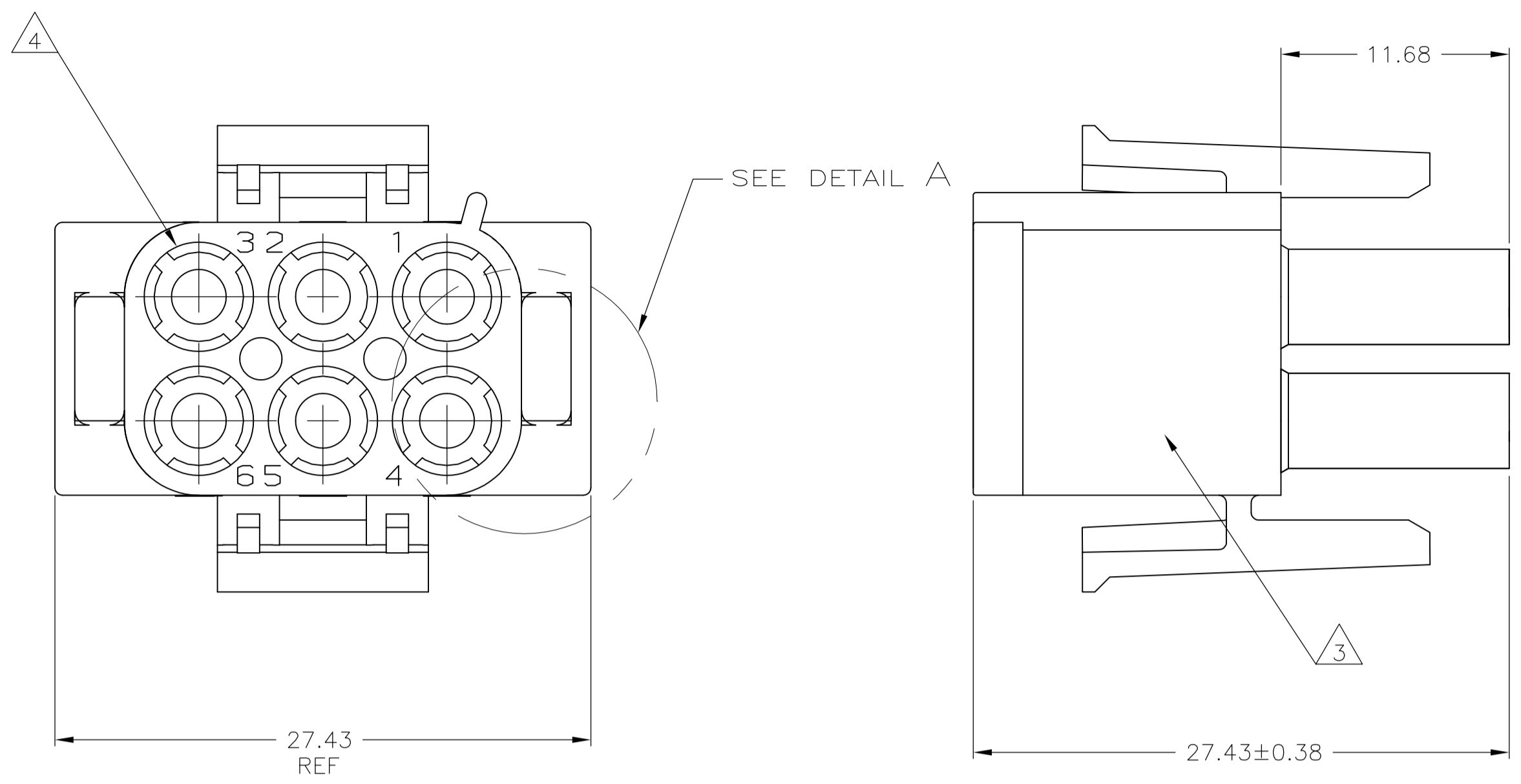
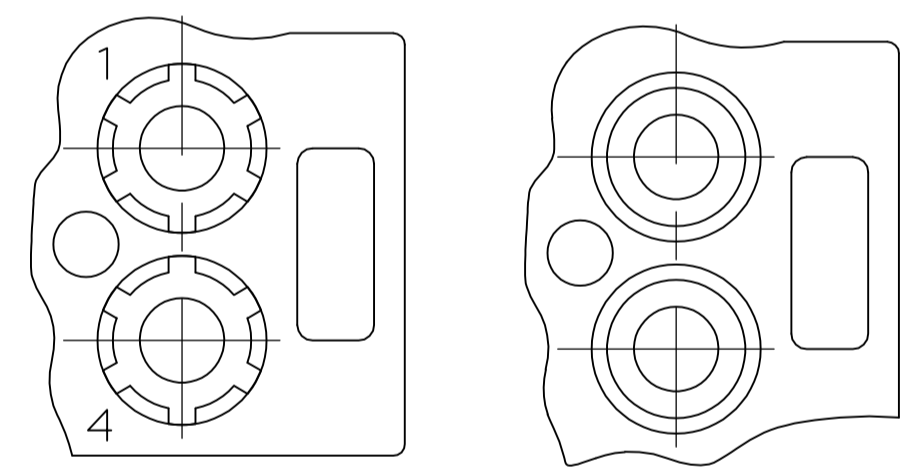
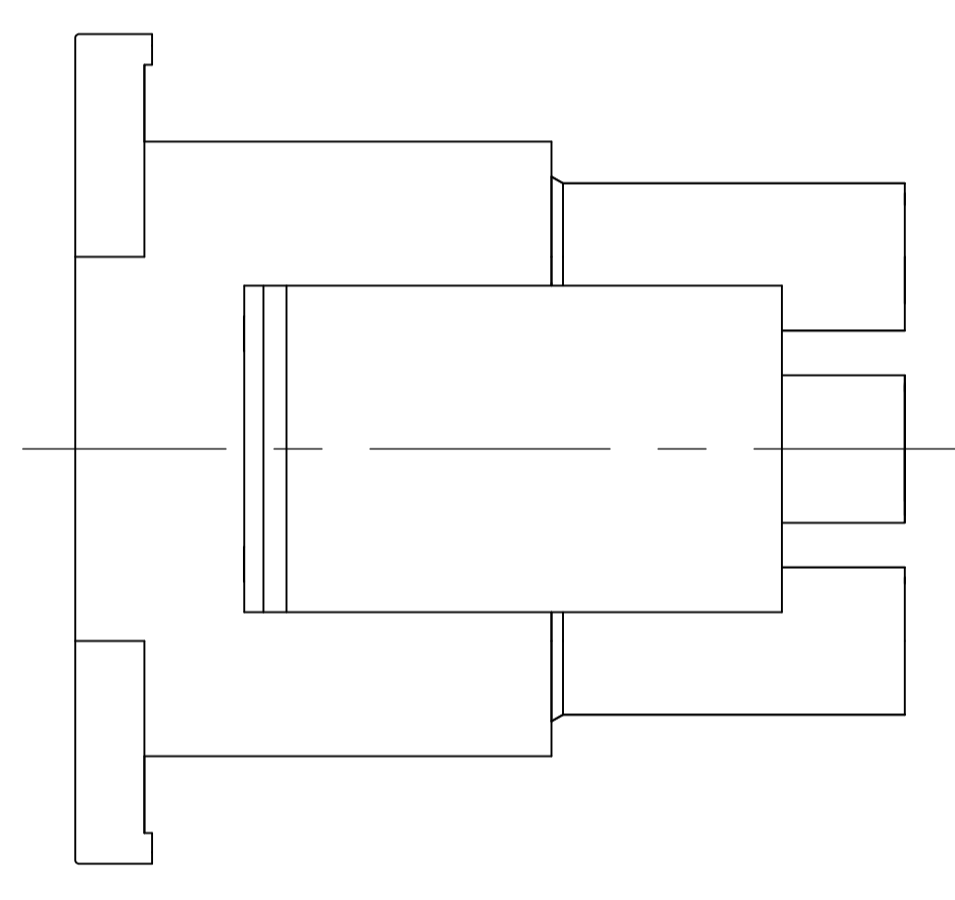


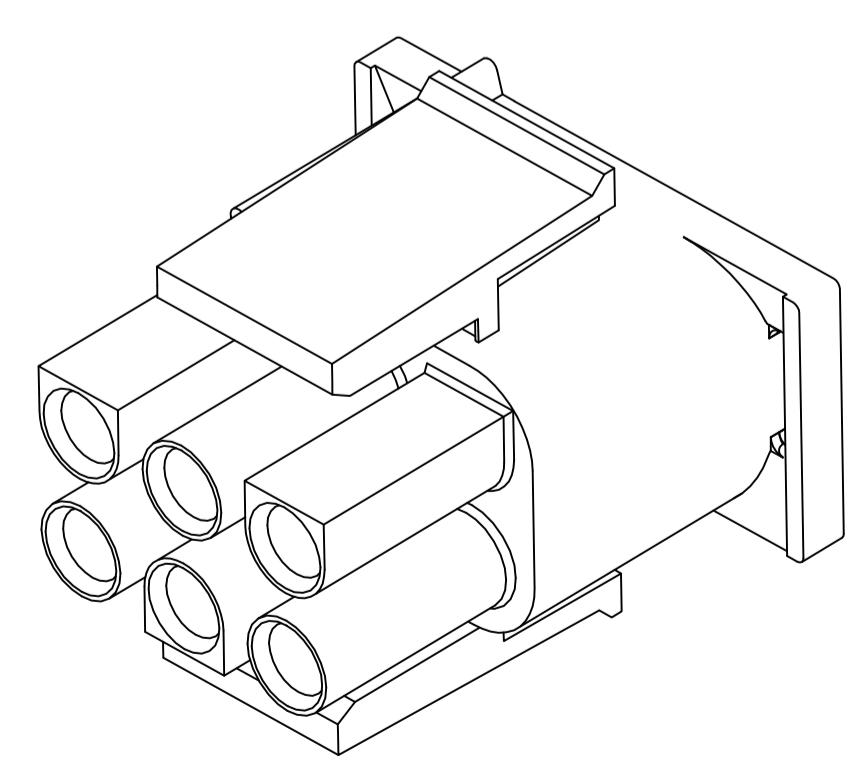
LOC		DIST		REVISIONS			
CM	00	REV	DATE	BY	CHK	APP'D	
A2		REVISED PER ECO-08-022511	11SEP08	HMR	DC		



- 1 MATES WITH APPROPRIATE UNIVERSAL MATE-N-LOK™ CAP OR HEADER.
- 2 SMALL NICKS ARE PERMITTED ON THE CIRCUIT TOWERS WHICH COULD INCREASE THE INITIAL HOUSING MATING FORCE BY UP TO 4.4 NEWTON (1.0 LBS). NO INDIVIDUAL NICKED TOWER SHALL INCREASE THIS FORCE BY OVER 2.2 NEWTONS (.5 LBS).
- 3 UNDERWRITER RECOGNIZED COMPONENT LOGO AND CSA CERTIFICATION LOGO TO BE LOCATED ONCE EACH SIDE ON SIDE OF HOUSING.
- 4 FOUR RIBS EQUALLY SPACED, NO SPECIFIC ORIENTATION. NO RIBS OR SIX RIBS EQUALLY SPACED, NO SPECIFIC ORIENTATION, OPTIONAL.
- 5 150° C TEMPERATURE RATING FOR THIS HOUSING IS FOR SHORT TERM DURATION MAX OPERATING TEMPERATURE REMAINS 125° C.
- 6 SPECIAL PACKAGING
- 7 PHOSPHOR BRONZE CONTACTS SHOULD ALWAYS BE USED WITH THIS HOUSING.



DETAIL A
OPTIONAL CONSTRUCTIONS



3-DIMENSIONAL MODEL
NTS

MM	IN
27.43	1.080
20.32	.800
13.97	.550
11.68	.460
0.38	.015
0.13	.005
MM	IN

CONVERSION TABLE

8-794535-1
794535-1
PART NUMBER

THIS DRAWING IS A CONTROLLED DOCUMENT.		DIN K. WHITAKER 18NOV98	Tyco Electronics Corporation Harrisburg, PA 17105-3608	
DIMENSIONS: mm		CHK R. SWING 18NOV98	Tyco Electronics	
TOLERANCES UNLESS OTHERWISE SPECIFIED: 0. PLC ± - 1. PLC ± - 2. PLC ± 0.13 3. PLC ± - 4. PLC ± - ANGLES ± 0° 30'		APP'D D. SELF 18NOV98	NAME PLUG, 6 CIRCUIT, UNIVERSAL MATE-N-LOK™	
MATERIAL NYLON, UL 94V-2, BLACK		FINISH -	SIZE A1	RESTRICTED TO -
CUSTOMER DRAWING		SCALE 4:1	DRAWING NO. 00779C=794535	SHEET 1 OF 1

METRIC